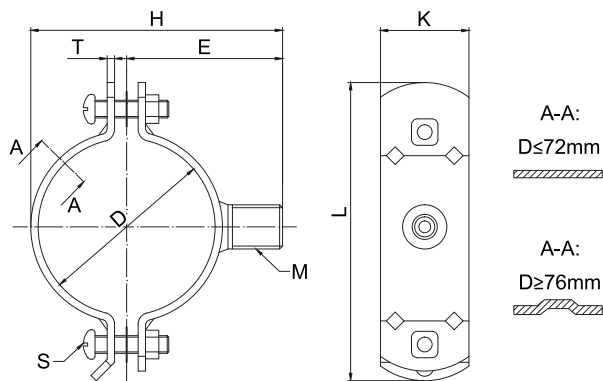
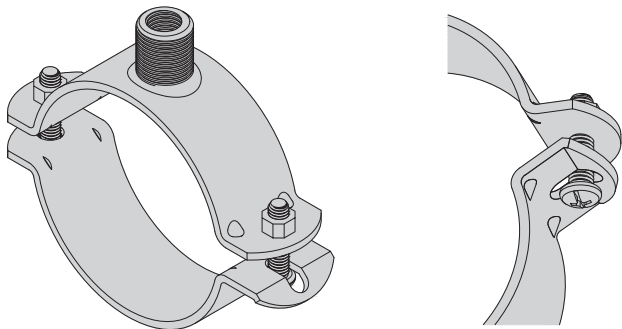


UCHYCENÍ POTRUBÍ - OCELOVÉ OBJÍMKY

CLAMPING OF STEEL PIPING – STEEL PIPE CLAMPS

OBJÍMKA MASIV BEZ TLUMÍCÍ VLOŽKY S UPEVŇOVACÍ HLAVOU UNI

PIPE CLAMP MASIV (HEAVY DUTY) WITHOUT RUBBER LINING WITH HEAD UNI



Popis:

Objímky MASIV bez tlumící gumy jsou vyráběny s navařenou maticí se dvěma vnitřními závitů a vnějším trubkovým závit. Dle rozměrové řady objímky se závitů liší: M8, M10, 3/8" nebo M10, M12, 3/8" nebo M12, M16, 1/2". Díky přivařenému centrální matici lze objímku kotvit prakticky v jakémkoliv směru. Objímka je primárně určena k upevnění těžkých ocelových nebo litinových potrubí a k vytvoření pevného bodu (PB).

Použití:

- ocelové potrubí
- plastové potrubí
- měděné potrubí
- litinové potrubí
- konstrukce pevných bodů

Odvětví:

- voda, topení, plyn
- parní rozvody a kouřovody (v kombinaci se silikonovým profilem)
- odpadní potrubí

Description:

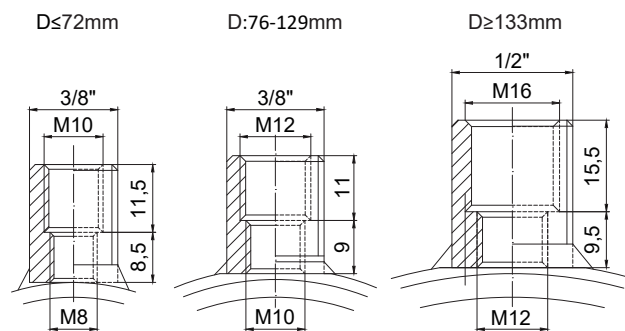
Pipe clamps type MASIV are produced with welded nut with two inside threads and one outside pipe thread. Depending on the size of clamping range, the threads differ: threads can be M8, M10, 3/8" or M10, M12, 3/8" or M12, M16, 1/2". Central welded nut enable anchoring pipes practically in any direction. Pipe clamp MASIV is primarily intended for anchoring heavy steel or cast iron pipes and for creating fixing points (FP).

Use:

- steel pipes
- plastic pipes
- copper pipes
- cast iron pipes
- fixing points

Fields:

- water, heating, gas
- steam pipes and chimneys (combined with a silicone profile)
- waste pipes



Technické údaje objímky / Technical data of pipe clamp:

Material objímky / Pipe clamp material:	Q235B
Povrchová úprava / Surface coating:	galvanicky pozinkováno / zinc plated

Obj. číslo Supply No.	Název Name	Průměr potrubí Diameter of pipe D (mm)	D (")	E (mm)	H (mm)	K (mm)	L (mm)	M Matice Nut	S Šroub Screw	T (mm)	Balení Package (ks/pcs)	
17011019	Objímka MASIV bez. g. / Heavy duty pipe clamp w/o / 15-19 mm, matice UNI (M8,M10,3/8")	15-19	3/8"	10	31,5	43	25	63	M8/M10/ 3/8"	M6x25 mm	2,0	50
17011024	Objímka MASIV bez. g. / Heavy duty pipe clamp w/o / 20-24 mm, matice UNI (M8,M10,3/8")	20-24	1/2"	15	34,0	48	25	65	M8/M10/ 3/8"	M6x25 mm	2,0	50
17011030	Objímka MASIV bez. g. / Heavy duty pipe clamp w/o / 25-30 mm, matice UNI (M8,M10,3/8")	25-30	3/4"	20	37,0	54	25	70	M8/M10/ 3/8"	M6x25 mm	2,0	50
17011035	Objímka MASIV bez. g. / Heavy duty pipe clamp w/o / 31-35 mm, matice UNI (M8,M10,3/8")	31-35	1"	25	40,0	60	30	75	M8/M10/ 3/8"	M6x25 mm	2,5	50
17011041	Objímka MASIV bez. g. / Heavy duty pipe clamp w/o / 37-41 mm, matice UNI (M8,M10,3/8")	37-41	-	43,0	66	30	80	M8/M10/ 3/8"	M6x25 mm	2,5	50	
17011045	Objímka MASIV bez. g. / Heavy duty pipe clamp w/o / 40-45 mm, matice UNI (M8,M10,3/8")	40-45	5/4"	32	45,0	70	30	85	M8/M10/ 3/8"	M6x25 mm	2,5	50
17011053	Objímka MASIV bez. g. / Heavy duty pipe clamp w/o / 48-53 mm, matice UNI (M8,M10,3/8")	48-53	6/4"	40	49,0	78	30	93	M8/M10/ 3/8"	M6x25 mm	2,5	50
17011059	Objímka MASIV bez. g. / Heavy duty pipe clamp w/o / 54-59 mm, matice UNI (M8,M10,3/8")	54-59	2"	50	52,0	84	30	100	M8/M10/ 3/8"	M6x25 mm	2,5	50
17011065	Objímka MASIV bez. g. / Heavy duty pipe clamp w/o / 60-65 mm, matice UNI (M8,M10,3/8")	60-65	-	55,0	90	30	105	M8/M10/ 3/8"	M6x25 mm	2,5	50	
17011072	Objímka MASIV bez. g. / Heavy duty pipe clamp w/o / 67-72 mm, matice UNI (M8,M10,3/8")	67-72	-	58,5	97	30	113	M8/M10/ 3/8"	M6x25 mm	2,5	50	
17011081	Objímka MASIV bez. g. / Heavy duty pipe clamp w/o / 76-81 mm, matice UNI (M10,M12,3/8")	76-81	-	65,5	111	30	138	M10/M12/ 3/8"	M8x30 mm	3,0	25	
17011087	Objímka MASIV bez. g. / Heavy duty pipe clamp w/o / 82-87 mm, matice UNI (M10,M12,3/8")	82-87	-	68,5	117	30	143	M10/M12/ 3/8"	M8x30 mm	3,0	25	
17011093	Objímka MASIV bez. g. / Heavy duty pipe clamp w/o / 88-93 mm, matice UNI (M10,M12,3/8")	88-93	3"	80	71,5	123	30	150	M10/M12/ 3/8"	M8x30 mm	3,0	25
17011101	Objímka MASIV bez. g. / Heavy duty pipe clamp w/o / 96-101 mm, matice UNI (M10,M12,3/8")	96-101	-	75,5	131	30	158	M10/M12/ 3/8"	M8x30 mm	3,0	25	
17011108	Objímka MASIV bez. g. / Heavy duty pipe clamp w/o / 102-108 mm, matice UNI (M10,M12,3/8")	102-108	4"	100	79,0	138	30	165	M10/M12/ 3/8"	M8x30 mm	3,0	25
17011116	Objímka MASIV bez. g. / Heavy duty pipe clamp w/o / 110-116 mm, matice UNI (M10,M12,3/8")	110-116	4"	83,0	146	30	170	M10/M12/ 3/8"	M8x 30 mm	3,0	25	
17011123	Objímka MASIV bez. g. / Heavy duty pipe clamp w/o / 116-123 mm, matice UNI (M10,M12,3/8")	116-123	-	86,5	153	30	180	M10/M12/ 3/8"	M8x30 mm	3,0	25	
17011129	Objímka MASIV bez. g. / Heavy duty pipe clamp w/o / 124-129 mm, matice UNI (M10,M12,3/8")	124-129	-	89,5	159	30	186	M10/M12/ 3/8"	M8x30 mm	3,0	25	
17011140	Objímka MASIV bez. g. / Heavy duty pipe clamp w/o / 133-140 mm, matice UNI (M12,M16,1/2")	133-140	5"	125	101,0	177	40	210	M12/M16/ 1/2"	M12x40 mm	4,0	10
17011148	Objímka MASIV bez. g. / Heavy duty pipe clamp w/o / 140-148 mm, matice UNI (M12,M16,1/2")	140-148	-	105,0	185	40	218	M12/M16/ 1/2"	M12x40 mm	4,0	10	
17011155	Objímka MASIV bez. g. / Heavy duty pipe clamp w/o / 149-155 mm, matice UNI (M12,M16,1/2")	149-155	-	108,5	192	40	225	M12/M16/ 1/2"	M12x40 mm	4,0	10	
17011165	Objímka MASIV bez. g. / Heavy duty pipe clamp w/o / 159-165 mm, matice UNI (M12,M16,1/2")	159-165	6"	150	113,5	202	40	235	M12/M16/ 1/2"	M12x40 mm	4,0	10
17011173	Objímka MASIV bez. g. / Heavy duty pipe clamp w/o / 167-173 mm, matice UNI (M12,M16,1/2")	167-173	-	117,5	210	40	243	M12/M16/ 1/2"	M12x40 mm	4,0	10	
17011184	Objímka MASIV bez. g. / Heavy duty pipe clamp w/o / 176-184 mm, matice UNI (M12,M16,1/2")	176-184	-	123,0	221	40	255	M12/M16/ 1/2"	M12x40 mm	4,0	10	
17011194	Objímka MASIV bez. g. / Heavy duty pipe clamp w/o / 188-194 mm, matice UNI (M12,M16,1/2")	188-194	-	128,0	231	40	266	M12/M16/ 1/2"	M12x40 mm	4,0	10	
17011205	Objímka MASIV bez. g. / Heavy duty pipe clamp w/o / 199-205 mm, matice UNI (M12,M16,1/2")	199-205	-	133,5	242	40	276	M12/M16/ 1/2"	M12x40 mm	4,0	10	
17011216	Objímka MASIV bez. g. / Heavy duty pipe clamp w/o / 207-216 mm, matice UNI (M12,M16,1/2")	207-216	8"	200	139,0	253	40	284	M12/M16/ 1/2"	M12x40 mm	4,0	10
17011225	Objímka MASIV bez. g. / Heavy duty pipe clamp w/o / 219-225 mm, matice UNI (M12,M16,1/2")	219-225	-	143,5	262	40	295	M12/M16/ 1/2"	M12x40 mm	4,0	10	
17011236	Objímka MASIV bez. g. / Heavy duty pipe clamp w/o / 230-236 mm, matice UNI (M12,M16,1/2")	230-236	-	149,0	273	40	307	M12/M16/ 1/2"	M12x40 mm	4,0	10	
17011250	Objímka MASIV bez. g. / Heavy duty pipe clamp w/o / 244-250 mm, matice UNI (M12,M16,1/2")	244-250	-	156,0	287	40	321	M12/M16/ 1/2"	M12x40 mm	4,0	10	
17011261	Objímka MASIV bez. g. / Heavy duty pipe clamp w/o / 255-261 mm, matice UNI (M12,M16,1/2")	255-261	-	161,5	298	40	332	M12/M16/ 1/2"	M12x40 mm	4,0	10	
17011273	Objímka MASIV bez. g. / Heavy duty pipe clamp w/o / 267-273 mm, matice UNI (M12,M16,1/2")	267-273	10"	250	167,5	310	40	344	M12/M16/ 1/2"	M12x40 mm	4,0	10
17011284	Objímka MASIV bez. g. / Heavy duty pipe clamp w/o / 278-284 mm, matice UNI (M12,M16,1/2")	278-284	-	173,0	321	40	355	M12/M16/ 1/2"	M12x40 mm	4,0	10	
31403040	Matice pro objímky MASIV UNI (muřina) / Circular nut for Heavy duty pipe clamp / 3/8" x 34mm										Více informací na straně 125. / More information on page 125.	1
31403045	Matice pro objímky MASIV UNI (muřina) / Circular nut for Heavy duty pipe clamp / 1/2" x 34mm										Více informací na straně 125. / More information on page 125.	1