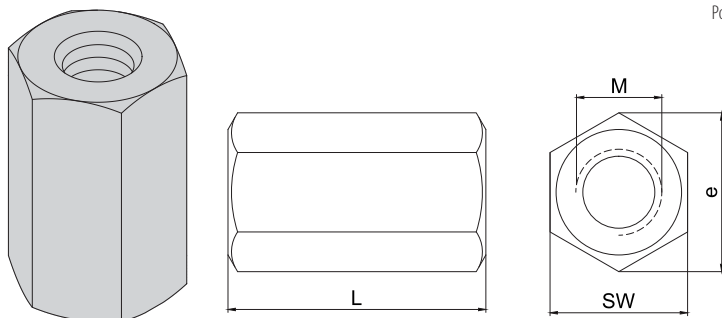


## SPOJOVACÍ MATICE DIN6334 CONNECTING NUT DIN6334



### Popis:

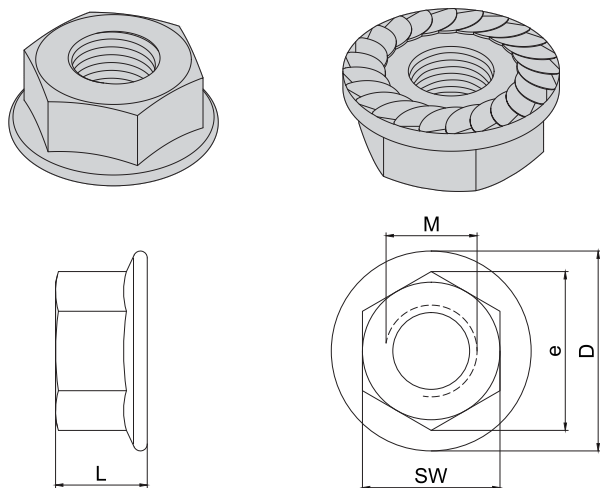
Používají se pro spojení závitových tyčí nebo kolíků.

### Description:

It is used to connect threaded rods or stud bolts.

| Obj. číslo<br>Supply No.<br>pozink / zinc plated | Obj. číslo<br>Supply No.<br>Nerez / A2 / stainless | Název<br>Name   | e<br>(mm) | L<br>(mm) | M<br>Závit<br>Thread | SW min<br>(mm) | SW max<br>(mm) | Balení<br>Package<br>(ks/pcs) |
|--|--|---|-----------|-----------|----------------------|----------------|----------------|-------------------------------|
| 24050815   | 24500515   | Spojovací matice ZB / Connecting nut / DIN6334, M5x8x15 mm                                  | 8,79      | 15        | M5                   | 7,78           | 8,0            | 100                           |
| 24061018   | 24500630   | Spojovací matice ZB / Connecting nut / DIN6334, M6x10x18 mm                                 | 11,05     | 18        | M6                   | 9,78           | 10,0           | 100                           |
| 24081324   | 24500830   | Spojovací matice ZB / Connecting nut / DIN6334, M8x13x24 mm                                 | 14,38     | 24        | M8                   | 12,73          | 13,0           | 100                           |
| 24081330   | -  | Spojovací matice ZB / Connecting nut / DIN6334, M8x13x30 mm                                 | 14,38     | 30        | M8                   | 12,73          | 13,0           | 100                           |
| 24101320   | -  | Spojovací matice ZB / Connecting nut / DIN6334, M10x13x25 mm                                | 18,90     | 25        | M10                  | 16,73          | 17,0           | 100                           |
| 24101730   | 24501030   | Spojovací matice ZB / Connecting nut / DIN6334, M10x17x30 mm                                | 18,90     | 30        | M10                  | 16,73          | 17,0           | 50                            |
| 24121936   | 24501230   | Spojovací matice ZB / Connecting nut / DIN6334, M12x19x36 mm                                | 21,10     | 36        | M12                  | 18,67          | 19,0           | 50                            |
| 24162448   | 24501640   | Spojovací matice ZB / Connecting nut / DIN6334, M16x24x48 mm                                | 26,75     | 48        | M16                  | 23,67          | 24,0           | 50                            |
| 24203060   | 24502050   | Spojovací matice ZB / Connecting nut / DIN6334, M20x30x60 mm                                | 32,95     | 60        | M20                  | 29,16          | 30,0           | 20                            |
| 24243672   | 24502460   | Spojovací matice ZB / Connecting nut / DIN6334, M24x36x72 mm                                | 39,55     | 72        | M24                  | 35,00          | 36,0           | 10                            |
| 31403040   | -  | Matice pro objímky MASIV UNI (mufna) / Circular nut for Heavy duty pipe clamp / 3/8" x 34mm | 27,40     | 34        | 3/8"                 | 23,67          | 24,0           | 1                             |
| 31403045   | -  | Matice pro objímky MASIV UNI (mufna) / Circular nut for Heavy duty pipe clamp / 1/2" x 34mm | 30,60     | 34        | 1/2"                 | 26,67          | 27,0           | 1                             |

## MATICE S OZUBENÝM LÍMCEM DIN6923 HEXAGON NUT WITH FLANGE DIN6923



### Popis:

Šestihranná matice s ozubeným límcem umožňuje montáž bez použití přidavných zajišťovacích prvků. Ozubený límec se při dotažení zaryje do podkladového materiálu a zabraňuje tak samovolnému povolování šroubového spoje.

### Description:

Hexagon nut with flange allows mounting without the use of additional locking elements. The toothed collar is torn into the underlying material during tightening and prevents connection from being loosened.

| Obj. číslo<br>Supply No.<br>pozink / zinc plated | Obj. číslo<br>Supply No.<br>Nerez / A2 / stainless | Název<br>Name   | D<br>(mm) | e<br>(mm) | L min<br>(mm) | L max<br>(mm) | M<br>Závit<br>Thread | SW min<br>(mm) | SW max<br>(mm) | Balení<br>Package<br>(ks/pcs) |
|--|--|---|-----------|-----------|---------------|---------------|----------------------|----------------|----------------|-------------------------------|
| 31424003   | -  | *BAL* Matice s ozub. límcem / *PACK* Hex. nut with toothed collar / DIN6923 M3  | 8,0       | 6,01      | 2,7           | 3             | M3                   | 5,32           | 5,5            | 100                           |
| 31424004   | -  | *BAL* Matice s ozub. límcem / *PACK* Hex. nut with toothed collar / DIN6923 M4  | 10,0      | 7,66      | 3,7           | 4             | M4                   | 6,78           | 7,0            | 100                           |
| 31424005   | -  | *BAL* Matice s ozub. límcem / *PACK* Hex. nut with toothed collar / DIN6923 M5  | 11,8      | 8,79      | 4,7           | 5             | M5                   | 7,78           | 8,0            | 100                           |
| 31424006   | 31425006   | *BAL* Matice s ozub. límcem / *PACK* Hex. nut with toothed collar / DIN6923 M6  | 14,2      | 11,05     | 5,7           | 6             | M6                   | 9,78           | 10,0           | 100                           |
| 31424008   | 31425008   | *BAL* Matice s ozub. límcem / *PACK* Hex. nut with toothed collar / DIN6923 M8  | 17,9      | 14,38     | 7,6           | 8             | M8                   | 12,73          | 13,0           | 100                           |
| 31424010   | 31425010   | *BAL* Matice s ozub. límcem / *PACK* Hex. nut with toothed collar / DIN6923 M10 | 21,8      | 18,90     | 9,6           | 10            | M10                  | 14,73          | 15,0           | 100                           |
| 31424012   | 31425012   | Matice s ozub. límcem / Hex. nut with toothed collar / DIN6923 M12              | 26,0      | 21,10     | 11,6          | 12            | M12                  | 17,73          | 18,0           | 100                           |
| 31424014   | -  | Matice s ozub. límcem / Hex. nut with toothed collar / DIN6923 M14              | 28,5      | 24,49     | 13,3          | 14            | M14                  | 20,67          | 21,0           | 50                            |
| 31424016   | -  | Matice s ozub. límcem / Hex. nut with toothed collar / DIN6923 M16              | 32,7      | 26,75     | 15,3          | 16            | M16                  | 23,67          | 24,0           | 50                            |
| 31424020   | -  | Matice s ozub. límcem / Hex. nut with toothed collar / DIN6923 M20              | 41,7      | 32,95     | 18,9          | 20            | M20                  | 29,67          | 30,0           | 25                            |

\*BAL\*/\*PACK\* - položky prodávány pouze dle uvedeného balení. Mimo balení účtováno rozbalné. / Items sold only in the specified packaging. Selling outside of the packaging is subject to an unpacking charge.